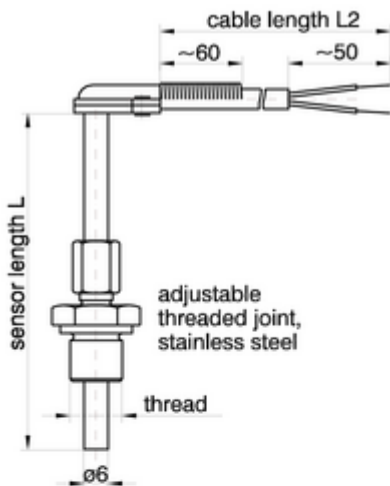


Cable sensors
Cable sensors with explosion proof
Model series K7W



Resistance thermometer - cable sensor with angled cable junction and adjustable thread joint.

Please declare desired temperature range for case of application!

Construction

Basic implementation
Ex-implementation (intrinsically safe)

Application temperature

on inquiry, depends on sensor and protective tube material

Temperature sensor

1xPt 100 cl. F0,15 acc. to DIN EN 60751
1xPt 100 cl. F0,3 acc. to DIN EN 60751
2xPt 100 cl. F0,15 acc. to DIN EN 60751
2xPt 100 cl. F0,3 acc. to DIN EN 60751
on inquiry

Circuitry

2 wire circuit
3 wire circuit
4 wire circuit for 1xPt100

Protective tube material

1.4571
on inquiry

Protective tube diameter d

6 mm
on inquiry

Sensor length L

on inquiry (length of screwing +10 ... 1000 mm)

Type of connection cable

on inquiry

Cable length L2

on inquiry min. 100 mm

Bend protection

without
with spiral spring

Thread

M10x1
G1/4A
G1/2A
on inquiry

Connector

free ends

Cable sensors
Cable sensors with explosion proof
Model series K7W

connector on inquiry