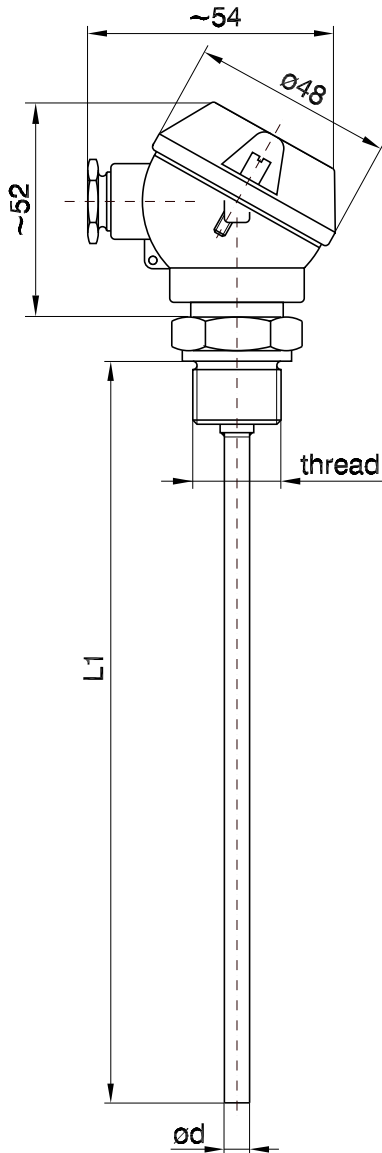


Resistance thermometers with connection head Series 373



Resistance thermometer without exchangeable measuring insert; with higher response of sensitivity.

Connection head

Form F

Protection classification

IP 54 according DIN 60529
on inquiry

Application temperature

-200 to +600°C
-50 to +400°C
on inquiry

Temperatursensor

1xPt 100 cl. F0,15 or W0,15 (old cl. A) acc. to DIN EN 60751
1xPt 100 cl. F0,3 or W0,3 (old cl. B) acc. to DIN EN 60751
2xPt 100 cl. F0,15 or W0,15 (old cl. A) acc. to DIN EN 60751
2xPt 100 cl. F0,3 or W0,3 (old cl. B) acc. to DIN EN 60751
on inquiry

Circuitry

2 wire circuit
3 wire circuit for 1xPt100
4 wire circuit for 1xPt100

Protective tube material

1.4571
on inquiry

Protective tube diameter d

6 mm
on inquiry

Insert length L₁

on inquiry

Thread

M20x1,5
G1/2A
on inquiry