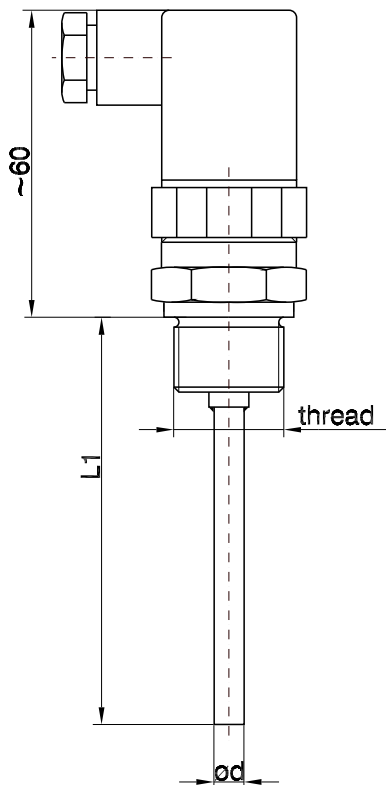


## Resistance thermometers

### Thermocouple with connector

### Series 405



Small resistance thermometer for screwing in with connector

#### Connection head

Connector GSP/GDM DIN EN 175301-803

#### Protection classification

IP 65 according DIN 60529

#### Application temperature

-50 up to +400 °C (max. 120 °C near the connector)  
on inquiry

#### Temperatursensor

1xPt 100 cl. F0,15 (old cl. A) acc. to DIN EN 60751  
1xPt 100 cl. F0,3 (old cl. B) acc. to DIN EN 60751  
2xPt 100 cl. F0,15 (old cl. A) acc. to DIN EN 60751  
2xPt 100 cl. F0,3 (old cl. B) acc. to DIN EN 60751  
on inquiry

#### Circuitry

2 wire circuit  
3 wire circuit for 1xPt100  
4 wire circuit for 1xPt100

#### Protective tube material

1.4571  
on inquiry

#### Protective tube diameter d

6 mm  
on inquiry

#### Insert length $L_1$

on inquiry

#### Thread

G1/2A  
on inquiry